

►► Weatherproof manhole cover SD7.R, weatherproof, load bearing up to 15 / 125 / 400 kN

Round, load tested in accordance with DIN 1229, completely made from stainless steel

Manhole cover, weatherproof, load bearing, load tested in accordance with DIN 1229 / EN 124, 15 / 125 / 400 kN, completely made from 1.4301/1.4307 (AISI 304 L) stainless steel, for flush fitting, not suitable for big volume traffic.

The cover consists of a stainless steel tear pattern plate, with additional bracing on the bottom, according to the weight, slip resistance R11 in compliance with DIN 51130, with a rubber seal on the cover bottom side, with screw lock, with safety lock, can only be undone with special keys, inner hinges, additional help for opening in the form of stainless steel gas assisted spring dampers, with integrated arrestor which can only be undone by hand and allows easy opening of the cover by one person.

Bottom covering angle frame easy-to-install encasing frame, with external wall clamps provided for embedding in concrete (concrete up to upper frame edge).

Manhole cover and frame shielded arc-welded, acid-treated in a pickling bath and passivated.

Operating key included.

Note:

Refer to our installation instructions.

To ensure the cover remains stormwater-tight, the sealing surface has to be cleaned with a cloth prior to closing the cover to remove sand, dust, stones and similar material.

Options:

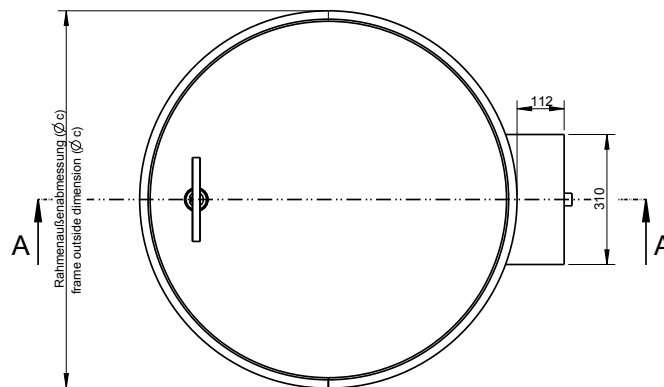
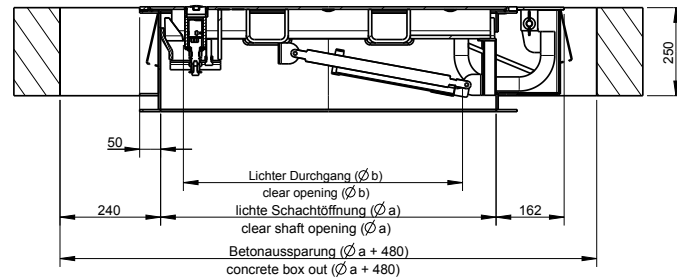
- Multiple screw connection, suitable for big-volume traffic (no emergency exit possible)
- Prepared for installation into paving or tar, class A and B (according to customer's specification)
- Magnetic contact
- Cover insulation
- Safety guard / antifaall guard
- Emergency escape cover (to be opened manually)
- 1.4571/1.4404 (AISI 316 L) stainless steel

Special version:

Multi-part manhole cover

- with removable cross bar
- with retractable cross bar
- with static cross ba

A-A



Model	Size $\varnothing a$	Order no.	Inside pass $\varnothing b$	Frame outside dimensions (without hinge box) $\varnothing c$	Weight approx. Kg
Type A: 15 kN equal 1,5 t (1)	$\varnothing 800$	ED 208/15-GR	$\varnothing 730$	$\varnothing 900$	54
Type A: 15 kN equal 1,5 t (1)	$\varnothing 1000$	ED 201/15-GR	$\varnothing 930$	$\varnothing 1100$	72
Type B: 125 kN equal 12,5 t (2)	$\varnothing 800$	ED 208/125-GR	$\varnothing 700$	$\varnothing 900$	82
Type B: 125 kN equal 12,5 t (2)	$\varnothing 1000$	ED 201/125-GR	$\varnothing 900$	$\varnothing 1100$	106
Type D: 400 kN equal 40 t (3)	$\varnothing 800$	ED 208/400-GR	$\varnothing 700$	$\varnothing 900$	92
Type D: 400 kN equal 40 t (3)	$\varnothing 1000$	ED 201/400-GR	$\varnothing 900$	$\varnothing 1100$	137

Ask for further dimensions. All measurements in mm. Special size $\geq 1000 \times 1000$ mm, classified according to DIN 1229/EN 124, dimensioned to DIN EN 1991-1-1, Teil 1-1 + national Annex, DIN EN 1991-2, Teil 2 + national Annex, DIN EN 1993.

(1) Für Grünflächen und Flächen, die nicht als Verkehrsflächen gelten, jedoch gelegentlich begangen werden.

(2) Für Gehwege und vergleichbare Flächen, für PKW-Parkhäuser.

(3) Für Fahrbahnen von Straßen, Parkflächen und befestigte Verkehrsflächen, nicht für fließenden Verkehr geeignet.

HUBER SE

Industriepark Erasbach A1 · D-92334 Berching
Phone: + 49 - 84 62 - 201 - 0 · Fax: + 49 - 84 62 - 201 - 810
info@huber.de · Internet: www.huber.de

Subject to technical modification
Drawing No. 714013_2, 10.2015

Weatherproof manhole cover SD7.R, weatherproof,
load bearing up to 15 / 125 / 400 kN